

15 GT-200

LOW FREQUENCY LOUSPEAKER

DESCRIPTION

This 15" bass loudspeaker is designed to deliver maximum levels of clean bass with high efficiency and with ability to handle exceptional continuous power. This model features a double spider suspension, 4" voice coil diameter and symmetrical magnetic field.



SPECIFICATIONS

Nominal diameter	380 mm.	15 in.
Rated impedance	8 ohms.	
Power capacity	300 w	
Sensitivity	100 dB	1w @ 1m
Frequency range	25-3000 Hz	
Recommended enclosure vol.	40-150 l	1.4-5.3 ft. ³
Voice coil diameter	100 mm.	4 in.
Magnetic assembly weight	8.6 kg.	18.96 lb.
BL Factor	23 N/A	
Moving mass	0.105 kg.	

Positive voltage on red terminal moves diaphragm forward

THIELE-SMALL PARAMETERS

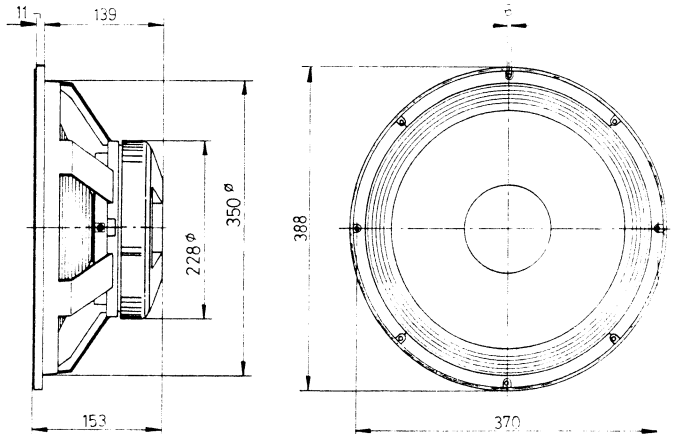
Fs	31 Hz	
Re	6 ohms.	
Qms	7.22	
Qes	0.225	
Qts	0.218	
Vas	270 l	9.54 ft. ³
ηo	3.6 %	
Sd	0.086 m. ²	133 in. ²
Xmax	5 mm.	0.2 in.
Vd	430 cm. ³	26.24 in. ³
Le	1.3 mH	

MOUNTING INFORMATION

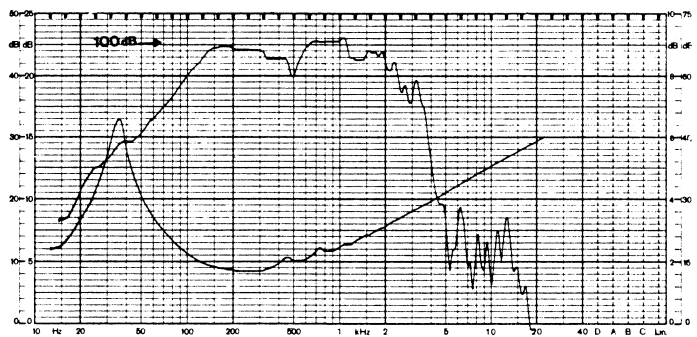
Overall diameter	388 mm.	15.28 in.
Bolt circle diameter	370 mm.	14.57 in.
Baffle cutout diameter :		
-Front mount	352 mm.	13.86 in.
-Rear mount	355 mm.	13.98 in.
Depth	153 mm.	6.02 in.
Volume displaced by driver	7 l	0.21 ft. ³
Net weight	10.15 kg.	22.38 lb.
Shipping weight	11.2 kg.	24.69 lb.

MATERIALS

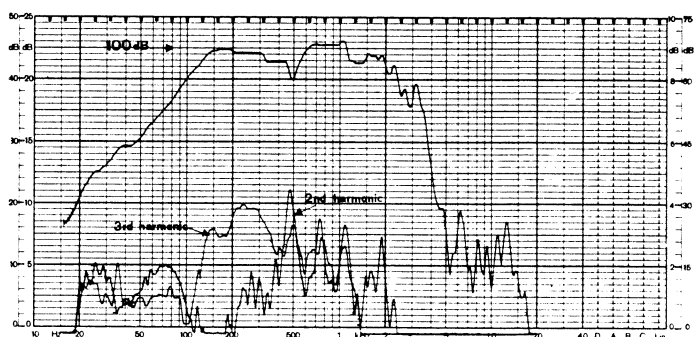
Basket	Die cast aluminium
Cone	Paper
Surround	Plasticised cloth
Voice coil material	Edgewound copper ribbon



Frequency response & Impedance curves. On axis, 1w @ 1m



Distortion vs. Frequency • 2nd & 3rd harmonic level raised 20 dB



PREDICTED LOW FREQUENCY RESPONSE • Bass-reflex cabinet, Vb=90 l, fb=55 Hz

