

KEY FEATURES

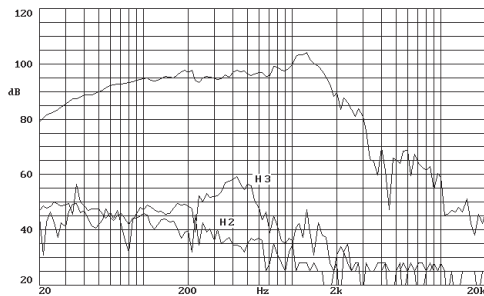
- 21" bass loudspeaker
- Superior power handling: 1000 w AES
- 4.5" (114 mm) edgewound copper ribbon voice coil
- Additional heat dissipation due to the use of a metal intercooler
- Dual spider system
- High efficiency: 2.7% (98 dB 1w @ 1 m)
- Large Xmax: 9 mm.
- Designed for subwoofer applications



GENERAL DESCRIPTION

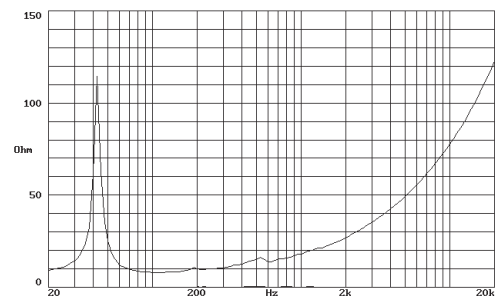
This 21" bass loudspeaker has been specifically designed to deliver high impact bass response, with exceptional high power handling capacity. It incorporates an edgewound copper ribbon voice coil (4.5" diameter) and powerful, vented magnet structure. The result is an incredibly highly efficient transducer for subwoofer applications.

FREQUENCY RESPONSE AND DISTORTION CURVES

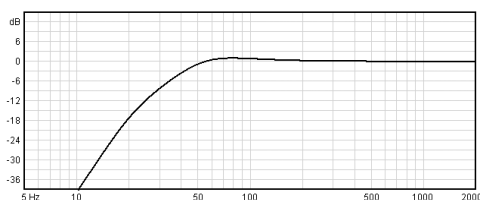


Note: on axis frequency response measured with loudspeaker standing on infinite baffle in anechoic chamber, 1w @ 1m.

FREE AIR IMPEDANCE CURVE



PREDICTED LOW FREQUENCY RESPONSE



Note: Bass-reflex cabinet, Vb=200 l, fb=33 Hz

TECHNICAL SPECIFICATIONS

Nominal diameter	540 mm. 21 in.
Rated impedance	8 ohms.
Minimum impedance	6.4 ohms.
Power capacity*	1000 w AES
Program Power	2000 w
Sensitivity	98 dB 2.83v @ 1m @ 2 π
Frequency range	25 - 1200 Hz
Recom. enclosure vol.	100 / 250 l 3.5 / 8.75 ft. ³
Voice coil diameter	114 mm. 4.5 in.
Magnetic assembly weight	11.5 kg. 25.35 lb.
BL factor	28 N / A
Moving mass	0.287 kg.
Voice coil length	25 mm.
Air gap height	11 mm.
X damage (peak to peak)	35 mm.

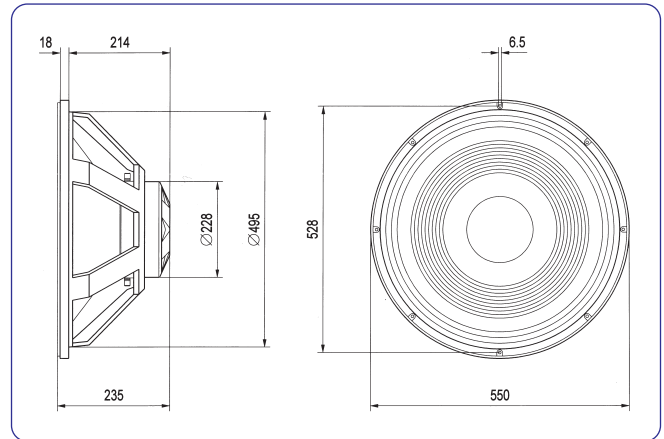
MOUNTING INFORMATION

Overall diameter	550 mm. 21.65 in.
Bolt circle diameter	528 mm. 20.68 in.
Baffle cutout diameter:	
-Front mount	495 mm. 19.48 in.
-Rear mount	510 mm. 20.07 in.
Depth	235 mm. 9.25 in.
Volume displaced by driver	20 l 0.7 ft. ³
Net weight	17 kg. 37.48 lb.
Shipping weight	19.9 kg. 43.87 lb.

THIELE-SMALL PARAMETERS**

Resonant Frequency, fs	33 Hz
D.C. Voice Coil Resistance, Re	6 ohms.
Mechanical Quality Factor, Qms	12.03
Electrical Quality Factor, Qes	0.45
Total Quality Factor, Qts	0.43
Equivalent Air Volume to Cms, Vas	350 l
Mechanical Compliance, Cms	80 μ m/N
Mechanical Resistance, Rms	5 kg/s
Efficiency, η (%)	2.7
Effective Surface Area, Sd (m ²)	0.1764 m ²
Maximum Displacement, Xmax	9 mm.
Displacement Volume, Vd	1600 cm. ³
Voice Coil Inductance, Le @ 1kHz	2.4 mH

DIMENSION DRAWINGS



MATERIALS

- **Basket:** Die cast aluminium
- **Cone:** Paper
- **Surround:** Treated cloth
- **Voice coil:** Edgewound copper ribbon
- **Magnet:** Ferrite

Notes:

* The power capacity is determined according to AES2-1984 (r2003) standard. Program power is defined as the transducer's ability to handle normal music program material.

** T-S parameters are measured after an exercise period using a preconditioning power test. The measurements are carried out with a velocity-current laser transducer and will reflect the long term parameters (once the loudspeaker has been working for a short period of time).



acústica beyma, s.a.