

CEILING LOUDSPEAKERS

FULL RANGE LOUDSPEAKERS



Modelo de 10" de elevado rendimiento, con una respuesta en frecuencia de gran amplitud, buena linealidad y reducida distorsión armónica. Para obtener estos resultados, monta doble cono de agudos y casquillo de cobre en el núcleo.

This 10" high efficiency, full range loudspeaker has been designed to cover all the audio frequency range, with a smooth and flat response, low distortion and excellent sensitivity. To achieve these characteristics, it includes a copper ring on the pole piece and a tweeter cone mounted directly on the coil.

SPECIFICATIONS

Nominal diameter	250 mm- 10"
Rated impedance	8 ohms
Power capacity	100 w RMS
Sensitivity	97 dB, 1 w @ 1m
Frequency range	60 - 17000 Hz
Recom. enclosure vol.	20 - 60 l
Voice coil diameter	34.6 mm
Magnet assembly weight	1.25 kg
B1 factor	6.7 N/A
Moving mass	0.020 kg

Positive voltage on red terminal moves diaphragm forward

THIELE-SMALL PARAMETERS

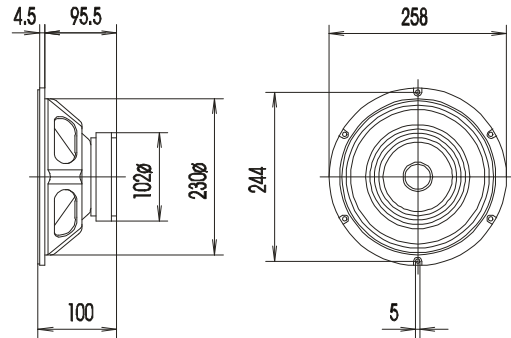
Fs	90 Hz
Re	7.4 ohm
Qms	4.6
Qes	1.85
Qts	1.32
Vas	30 l
Cms	
no	1.15 %
Sd	0.036 m ²
Xmax	2 mm
Vd	72 cm ³
Le	0.4 mH

MOUNTING INFORMATION

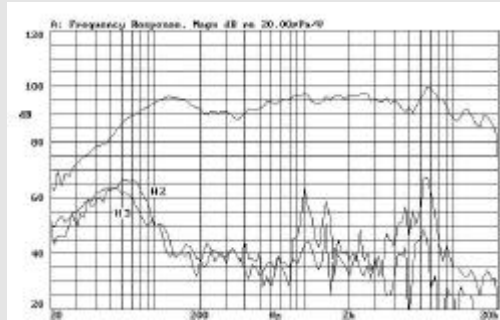
Overall diameter/Diámetro externo	258 mm
Bolt circle diameter/Diá. entre aguj. mont	244 mm
Front mount diameter/Montaje frontal	230 mm
Rear mount diameter/Montaje posterior	236 mm
Depth/ Profundidad	100 mm
Volume displ. by driver/Volum ocupado altavoz	2.5 l
Net weight/Peso Neto	1.55 kg
Shipping weight/Peso embalado	1.88 kg

MATERIAL / MATERIALES

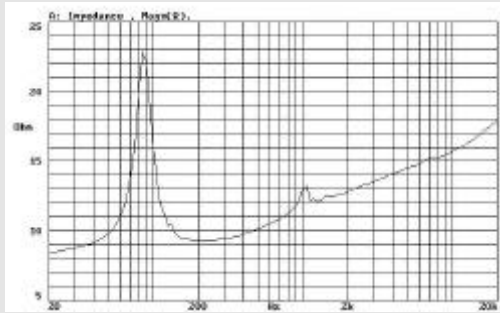
Basket / Carcasa	Metal frame / Carcasa metálica
Cone / Cono	Paper / Papel
Surround / Suspensión	Plasticised paper/ Papel plastificado
Voice coil / Bobinado	Copper / Cobre



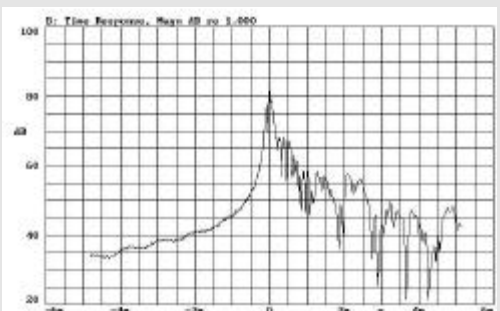
Respuesta en Frecuencia / Frequency Response 1w @ 1m



Curva de Impedancia / Free air impedance curve



Respuesta impulsional / Time Response



CEILING LOUDSPEAKERS

Acústica Beyma s.a. Pol Ind. Moncada II. C/ Pont Sec 1c.46113 Moncada - Valencia (Spain)
tel (34) 96 130 13 75. Fax (34) 96 130 15 07 http // www.beyma.com.