

KEY FEATURES

- High power handling (100 W RMS)
- High mechanical resistance kevlar cone
- Designed for low-medium frequencies reproduction

TECHNICAL SPECIFICATIONS

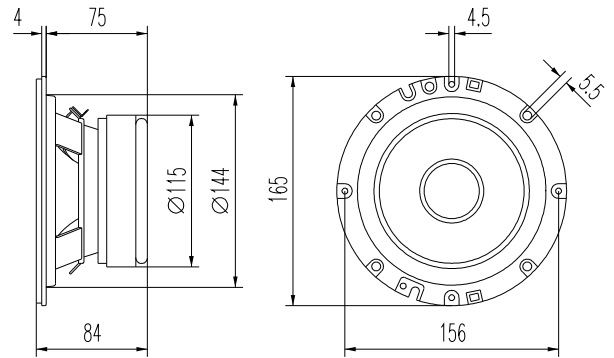
Nominal diameter	165 mm. 6.5 in.
Nominal impedance	4 ohms
Power handling / maximum	100 W RMS / 200 W
Sensitivity	89 dB 1w @ 1m
Frequency range	45 - 4000 Hz
Voice coil diameter	38.5 mm. 1.5 in.
Bl factor	6.7 N/A
Moving mass	0.016 Kg.

THIELE-SMALL PARAMETERS

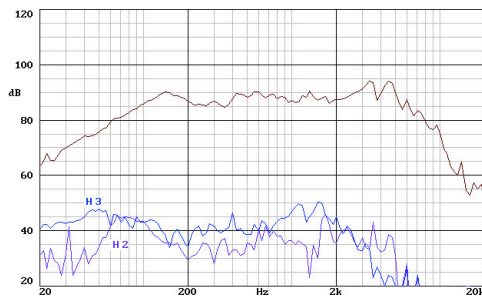
Resonant frequency, f_s	62 Hz
D.C. voice coil resistance, R_e	3.7 ohms.
Mechanical quality factor, Q_{ms}	5.69
Electrical quality factor, Q_{es}	0.54
Total quality factor, Q_{ts}	0.49
Equivalent air volume to C_{ms} , V_{as}	9 l
Efficiency, η (%)	0.42
Effective surface area, S_d	130 cm ²
X_{max}	4 mm
Voice coil inductance, L_e @ 1kHz	0.4 mH



DIMENSION DRAWINGS

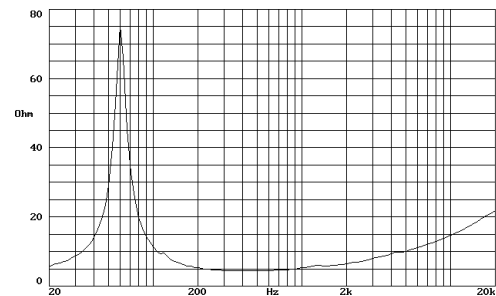


FREQUENCY RESPONSE



Note: on axis frequency response measured with loudspeaker standing on infinite baffle in anechoic chamber, 1w @ 1m.

FREE AIR IMPEDANCE CURVE



KEY FEATURES

- Extended frequency response (1 - 22 kHz)
- High sensitivity (91 dB)
- Specially treated fabric dome
- Neodymium magnet
- Aluminium front cover
- Designed for the high frequencies reproduction

TECHNICAL SPECIFICATIONS

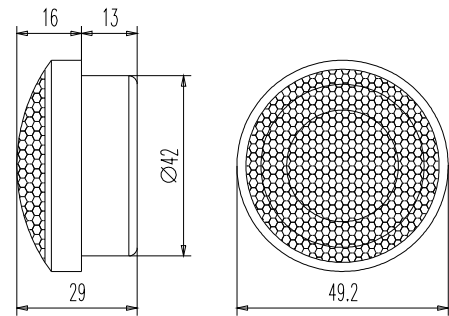
Nominal impedance	4 ohms
Power handling / maximum	15 W RMS / 30 W
Sensitivity	91 dB 1w @ 1m
Frequency range	1 - 22 kHz
Recommended crossover frequency	3000 Hz, 12 dB/oct.
Resonant frequency, fs	1.3 kHz
Voice coil diameter	25.8 mm. 1.02 in.
Diaphragm material	Plasticised fabric

MOUNTING INFORMATION

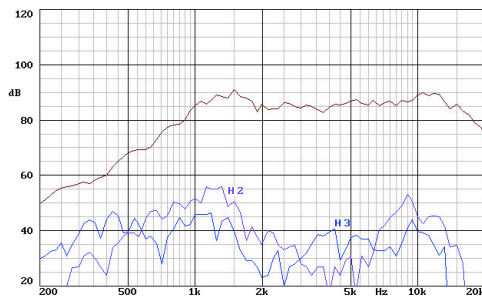
Overall diameter	49.2 mm. 1.94 in.
Depth	29 mm. 1.14 in.
Baffle cutout dimensions	42 mm. 1.65 in.



DIMENSION DRAWINGS

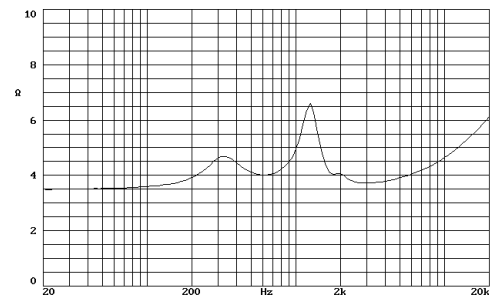


FREQUENCY RESPONSE



Nota: on axis frequency response measured on anechoic chamber, applying 1w@1m.

IMPEDANCE CURVE



KEY FEATURES

- 2 way passive filter
- 18 dB/octave attenuation slope
- Excellent power handling (150 w RMS)
- Optional tweeter attenuation (0, -2, -4, -6, -8 dB)
- Carefully designed to work with Competition drivers



TECHNICAL SPECIFICATIONS

Type	2 way
Crossover frequency	3 kHz
Power capacity	150 w RMS
Low / High frequency impedance	4 ohms.
Attenuation slope	18 dB/oct.
H.F. attenuation	0, -2, -4, -6, -8 dB

FREQUENCY RESPONSE

